

HMF 2210-K



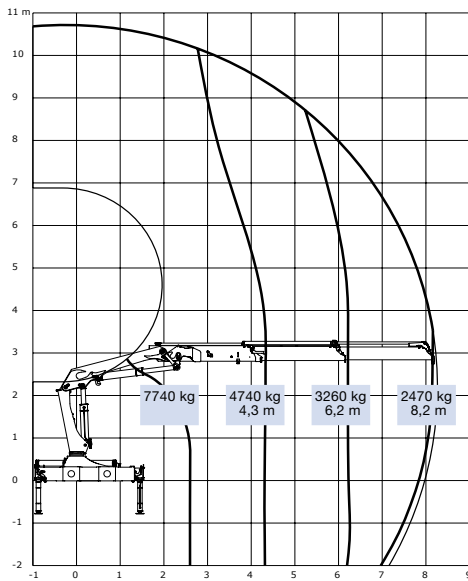
- power to lift.

HMF Knuckle Boom Loader 2210-K

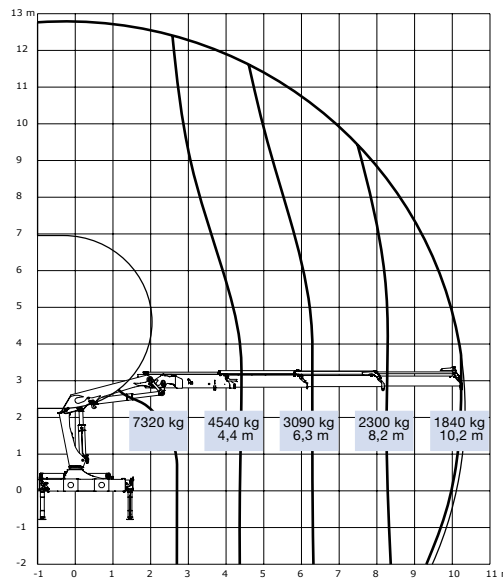
HMF's latest generation of loaders in the 22 tm range, the 2210-K, is constructed as a strong and versatile working tool.

- The HMF 2210-K is a loader with high working speed particularly well suited for fast grab work.
- Over-bending of 15° between the main boom and the jib provides great flexibility, when working through narrow passages and under overhead power wires. The working area between the main boom and the jib is thus up to 195°.
- The HMF 2210-K has a single Power Plus link arm system on the jib, which provides high lifting capacity, even when the boom system is fully extended. The loader has great strength, regular speed and is well suited for loading and unloading tasks at a low height far away from the vehicle.
- With HMF's newly developed CE-safety system, the RCL 5300 Series, HMF acknowledges that safety has to co-operate with the user and help him during critical lifting tasks.
- The newly developed jib extension systems on the HMF 2210-K are made of ultra-high tensile steel, which provides superior strength and low tare weight. At the same time they are designed to obtain very high resistance to fatigue.
- There is an extensive range of peripheral options available for the HMF 2210-K. The loader is available with winch or extra valves for Fly-Jib or grab, among others. This way we ensure that the loader is capable of performing a wide range of tasks.
- The HMF 2210-K Series is available with all modern control modes. E.g. the stand-up platform is an excellent workplace, where the loader is operated directly from the control valve and the operator has a perfect view of the working area.

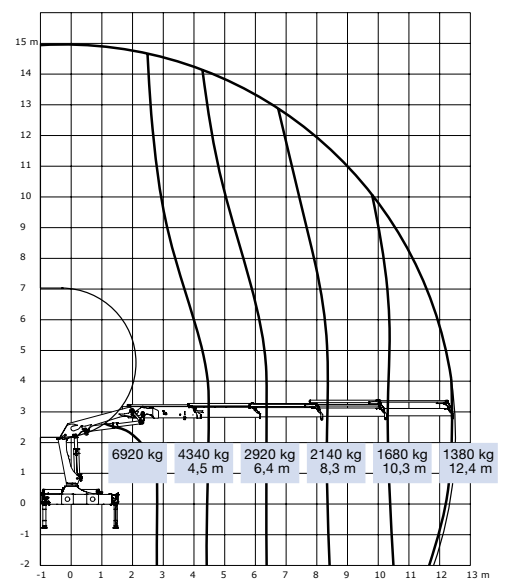
HMF 2210-K2



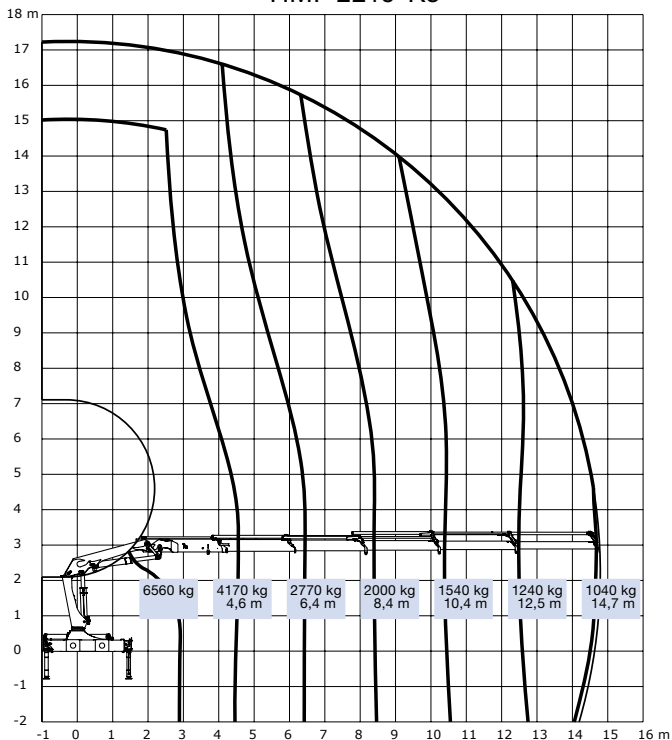
HMF 2210-K3



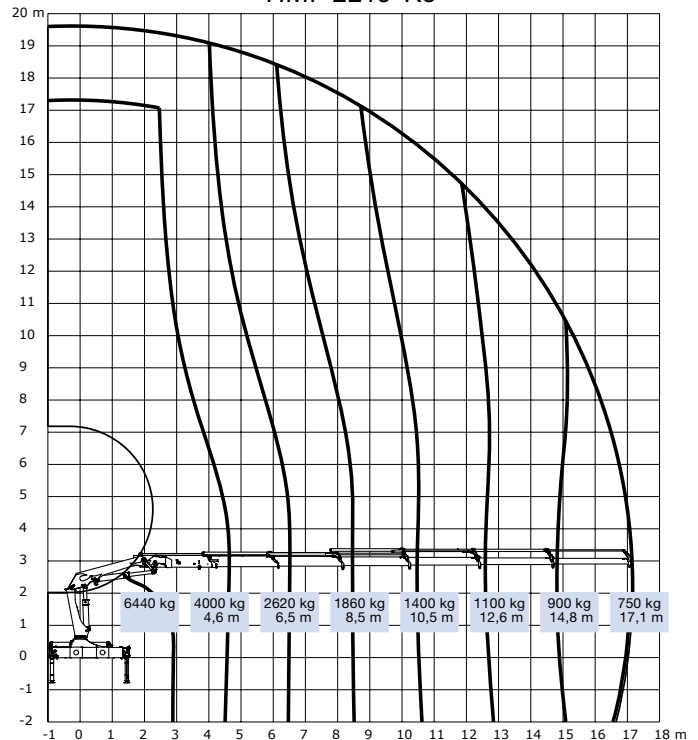
HMF 2210-K4



HMF 2210-K5



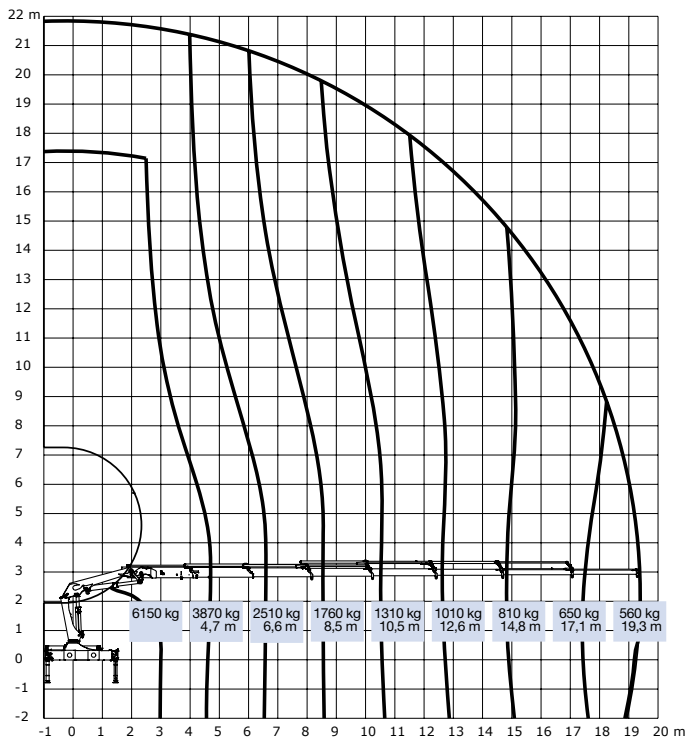
HMF 2210-K6



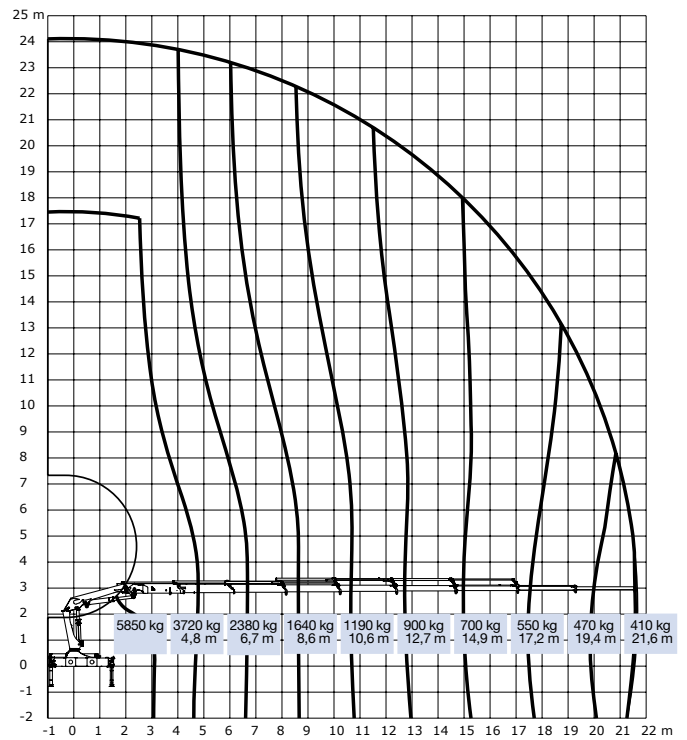
Loading group B3	Unit	2210-K2	2210-K3	2210-K4	2210-K5	2210-K6	2210-K7	2210-K8
Load moment	tm	20.5	20.0	19.4	19.0	18.5	18.2	17.8
Hydraulic reach	m	8.3	10.3	12.5	14.8	17.2	19.4	21.7
Slewing torque	kgm	2762	2762	2762	2762	2762	2762	2762
Slewing angle	°	400	400	400	400	400	400	400
Max. heel at max. moment	°	5	5	5	5	5	5	5
Working pressure	Bar	300	300	300	300	300	300	300
Recommended pump performance	l/min	60	60	60	60	60	60	60
Height above chassis	mm	2295	2295	2295	2295	2295	2295	2295
Length of loader, no extra valves	mm	880	880	880	880	880	990	990
Length of loader, with extra valves	mm	1000	1000	1000	1000	1000	-	-
Width	mm	2500	2500	2500	2500	2500	2500	2500
Stabilizer spread, standard	mm	5575	5575	5575	5575	5575	5575	5575
Stabilizer spread, double	mm	6455	6455	6455	6455	6455	6455	6455
Weight of standard loader excl. stabilizers*	kg	1895	2065	2265	2415	2555	2660	2745
Weight of stabilizers, standard*	kg	290	290	290	290	290	290	290
Weight of stabilizers, double*	kg	365	365	365	365	365	365	365

* Weight excl. fittings, optional extras and oil.

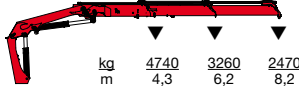
HMF 2210-K7



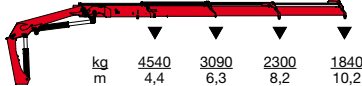
HMF 2210-K8



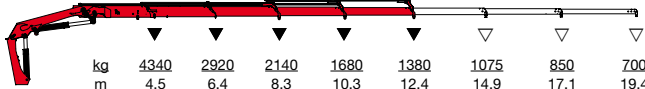
HMF 2210-K2



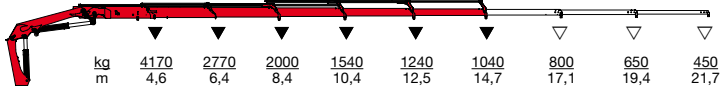
HMF 2210-K3



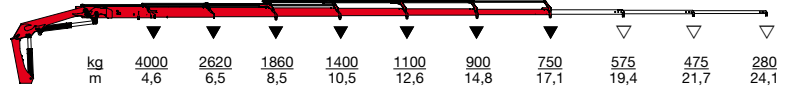
HMF 2210-K4



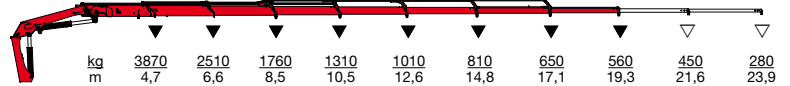
HMF 2210-K5



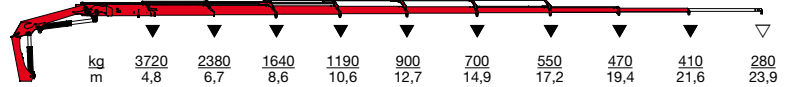
HMF 2210-K6



HMF 2210-K7



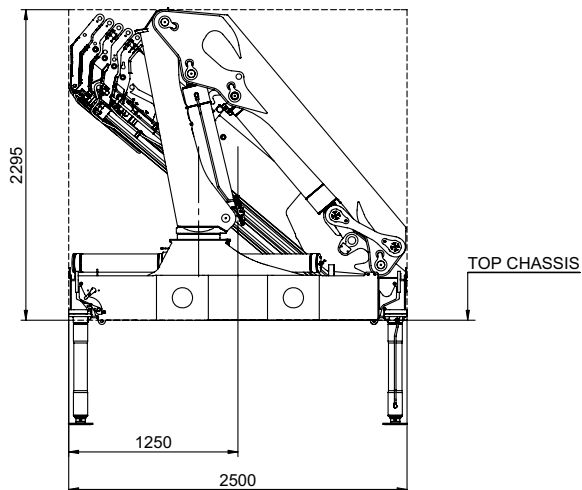
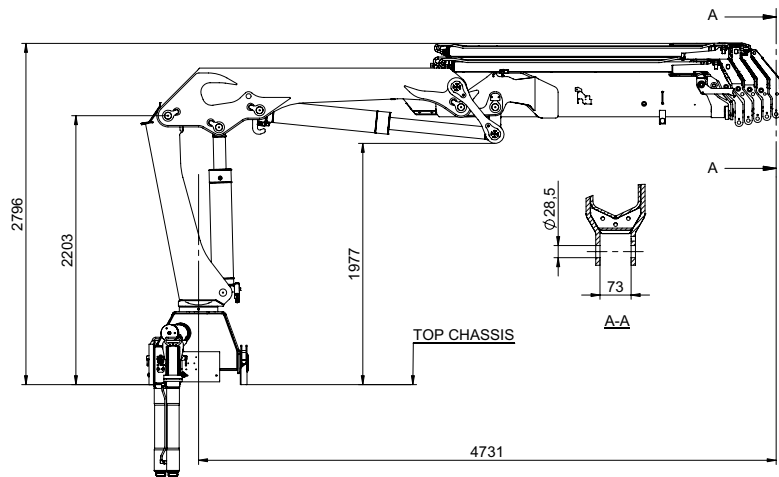
HMF 2210-K8



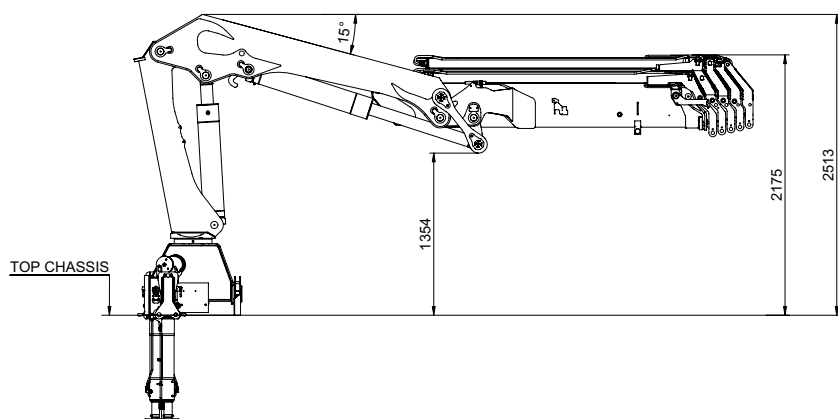
▼ Lifting capacity without manual extensions
 ▽ Lifting capacity with manual extensions

HMF Knuckle Boom Loader 2210-K

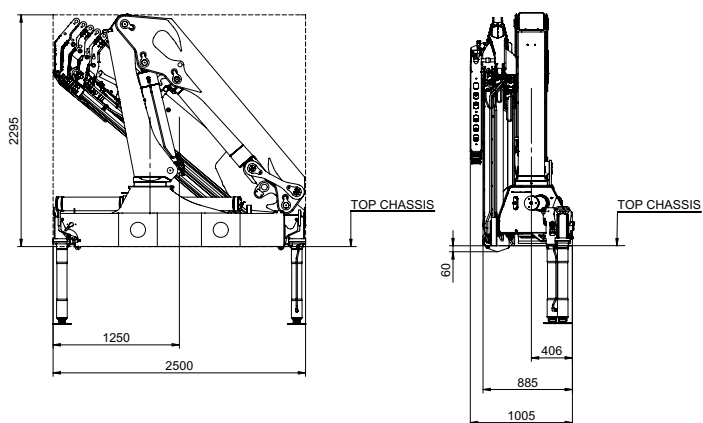
HMF 2210-K



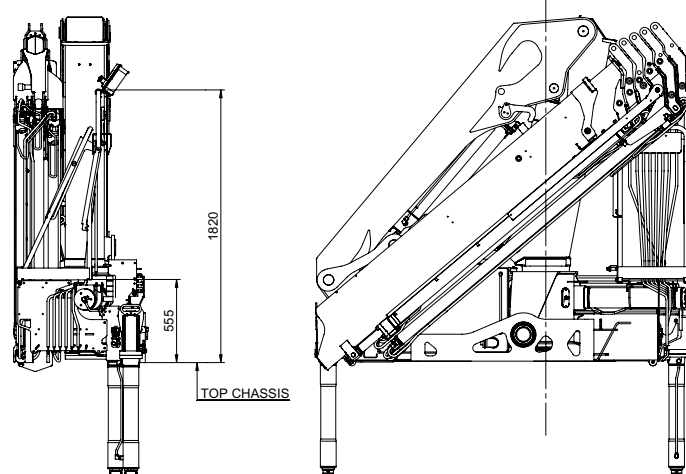
HMF 2210-K with over-bending of 15°



HMF 2210-K with winch



HMF 2210-K with stand-up controls



Z008408-1

We reserve the right to introduce improvements and modifications



Højbjerg Maskinfabrik A/S • Oddervej 200 • DK-8270 Højbjerg
Tel.: +45 8627 0800 • Fax: +45 8627 0744 • info@hmf.dk

www.hmf.dk